



# VIKAS INDUSTRIES

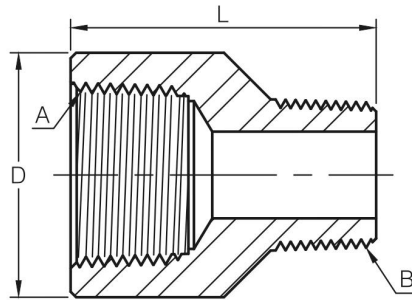
A GOVT. OF INDIA RECOGNISED STAR EXPORT HOUSE



AN ISO 9001: 2015 CERTIFIED COMPANY

A UL LISTED COMPANY

## THREADED ADAPTOR



Dimensions in Millimeters

DN	Nom Pipe Size (A)	D	L	Thread Size (B)
<b>3000Lb</b>				
8	1/4	19	33	1/8
10	3/8	22	35	1/4
15	1/2	28	42	3/8
20	3/4	35	47	1/2
25	1	44	55	3/4
32	1-1/4	57	63	1
40	1-1/2	64	66	1-1/4
50	2	76	76	1-1/2
65	2-1/2	92	90	2
80	3	108	110	2-1/2
100	4	140	120	3

(1) Thread in accordance with ANSI / ASME B 1.20.1.

(2) Dimensions may vary in according to the customer and manufacturer requirements.